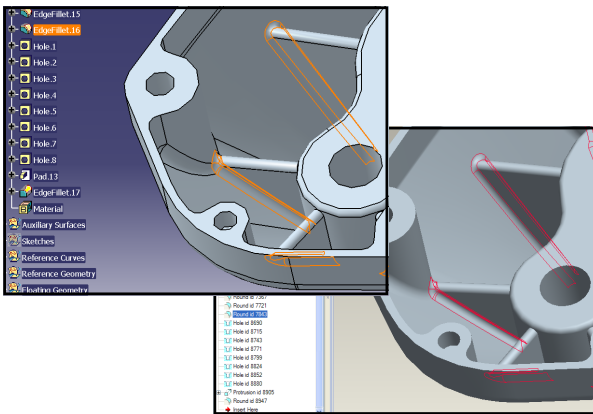




## Maintain Design Intelligence

Proficiency offers a reliable and accurate exchange of engineering data between product development teams, regardless of the CAD system being used. From migrations of Gigabytes to TeraBytes, Proficiency achieves up to 95% fully automated exchange of CAD model design intelligence. The Proficiency completion wizard then provides an interactive process and methodology to complete the model.



***“This feature-based exchange technology works. It will pay for itself quickly and it will help us maintain our competitive position in the global automotive industry.”***

*Ferruccio Bondesan  
Magneti Marelli Powertrain S.P. A .*

### Features

- Feature-Based Exchange including geometry, features, sketches, manufacturing info, metadata, assembly information and drawings
- Design in preferred CAD and deliver in required format
- Complete, fully-featured, usable models, including up to 95% Automated Conversion
- Interactive completion tools with Q/A validation
- Adopt and comply to corporate design methodologies and best practices
- Integration with all major PLM solutions, complete with automated batch exchange, business logic driven rules and audit and verification reports

### Interface Support

NATIVE	NEUTRAL	PLATFORMS
<ul style="list-style-type: none"> <li>• CATIA V4</li> <li>• CATIA V5</li> <li>• Pro/E</li> <li>• UG-NX</li> <li>• I-deas</li> <li>• Solid Edge</li> <li>• Inventor</li> </ul>	<ul style="list-style-type: none"> <li>• IGES</li> <li>• STEP</li> </ul>	<ul style="list-style-type: none"> <li>• Windows</li> <li>• AIX</li> <li>• Solaris</li> </ul>



Your Central Source for Data Exchange

ITI TranscendData provides interoperability solutions that enable companies to effectively exchange, reuse, integrate and share engineering product data among diverse software applications used throughout a manufacturing enterprise and its supply chain. ITI TranscendData technologies include CADfix, CADIQ, DEXcenter, Proficiency and PLM Integration Solutions.